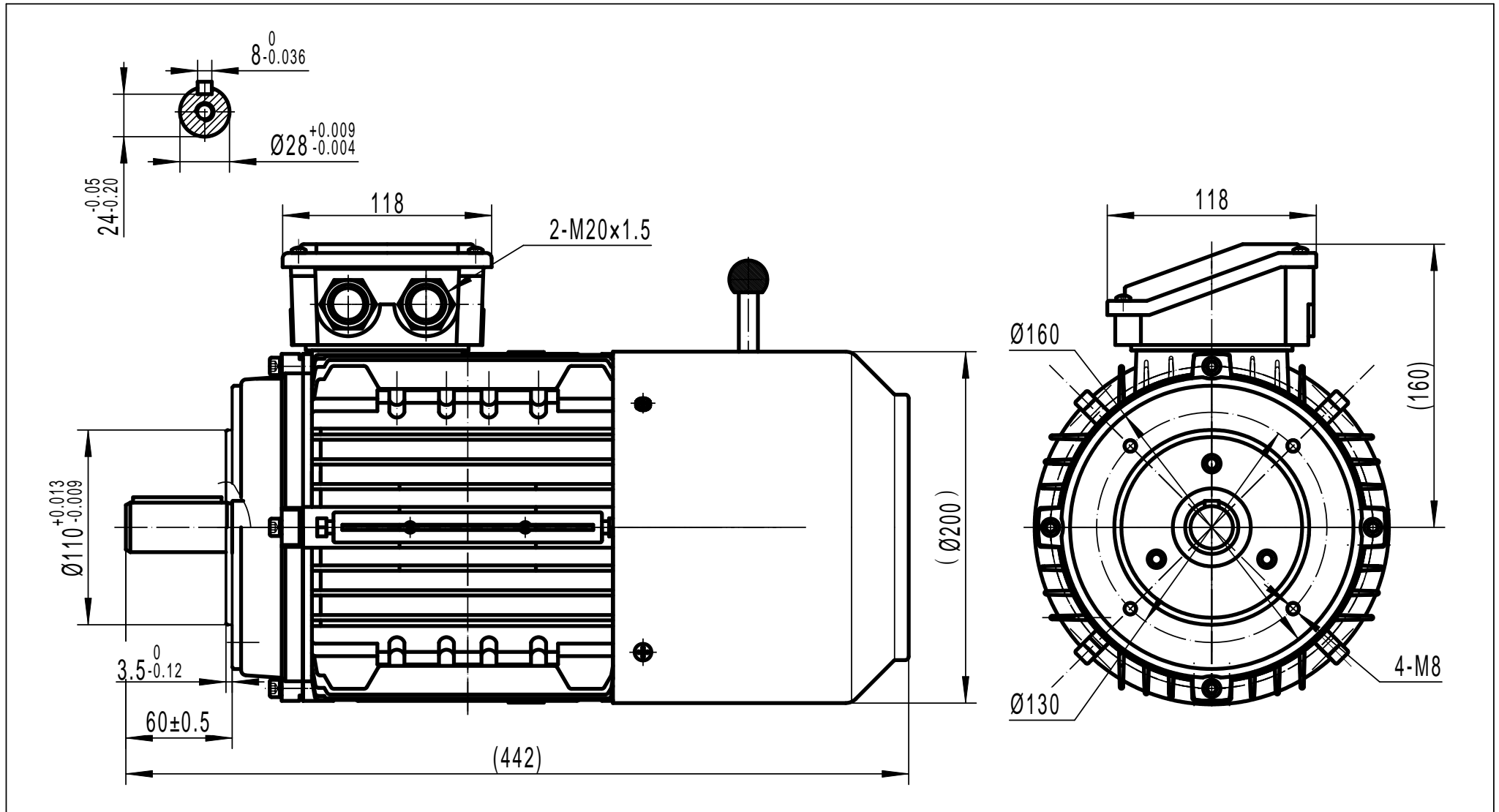


OUTLINE DIMENSIONAL DRAWING



TECHTOP AUSTRALIA PTY LTD	
FRAME	TAIB 100A B14
DATE	DRAWING NO.
2013/10/22	1ST104.060.001-021 A